



Duct Connected -High Static Pressure- FDU

Model No.

FDU45KXE6F
FDU56KXE6F
FDU71KXE6F
FDU90KXE6F
FDU112KXE6F
FDU140KXE6F
FDU160KXE6F



Model No.

FDU224KXZE1
FDU280KXZE1

Remote control (option)

Wired



Wireless



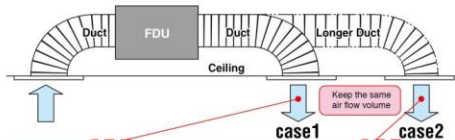
RCN-KIT4-E2

External Static Pressure(E.S.P) control

You can set External Static Pressure (E.S.P.) by method of manual setting on remote control. Indoor unit will control fan-speed to keep rated air flow volume at each fan speed setting. You can set required E.S.P. by wired remote control that calculated with the set air flow rate and pressure loss of the duct connected.



E.S.P. button RC-E5
External Static Pressure (E.S.P.) can be set by E.S.P. button.



Setting No.	No.8	No.9	No.10	No.11	No.12	No.13	No.14	No.15
E.S.P.	80Pa	90Pa	100Pa	110Pa	120Pa	130Pa	140Pa	150Pa

*Range of 80~150 Pa is set at ex-factory default.
Range of 10~200 Pa is available by setting SW8-4 switch on at site.

<Expansion of external static pressure range>

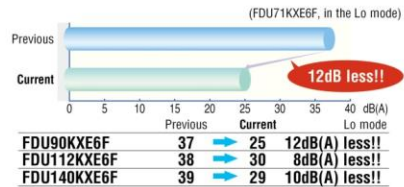
Previous **10~130Pa** → Current **10~200Pa**

Thin design



	Previous	Current	
FDU71KXE6F	297	280	17mm less!!
FDU112/140KXE6F	350	280	70mm less!!

Reduction of sound pressure level

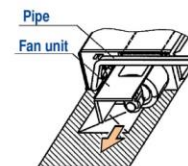


Transparent inspection window

Dirt condition of the bottom of a drain pan can be checked through this transparent inspection window without removing drain pan. (Please refer to P84)

Improvement of the serviceability

Fan unit (impeller and motor) can be pulled out from the right side of the unit. Maintenance can be available from the right side or the bottom side. (Common for FDU22~160KXE6F & FDU45~160KXE6F)



Specifications

Item	Model	FDU45KXE6F	FDU56KXE6F	FDU71KXE6F	FDU90KXE6F	FDU112KXE6F	FDU140KXE6F	FDU160KXE6F
Nominal cooling capacity	kW	4.5	5.6	7.1	9.0	11.2	14.0	16.0
Nominal heating capacity	kW	5.0	6.3	8.0	10.0	12.5	16.0	18.0
Power source		1 Phase 220-240V, 50Hz						
Power consumption	Cooling	0.10-0.10		0.24-0.25		0.31-0.32		0.42-0.43
	Heating	0.10-0.10		0.24-0.25		0.31-0.32		0.42-0.43
Sound power level	dB(A)	60		65		—		—
Sound pressure level	dB(A)	P-Hi:37 Hi:32 Me:29 Lo:26		P-Hi:38 Hi:33 Me:29 Lo:25		P-Hi:44 Hi:38 Me:36 Lo:30		P-Hi:45 Hi:40 Me:34 Lo:29
Exterior dimensions H x W x D	mm	280x750x635		280x950x635		280x1370x740		
Net weight	kg	29		34		54		
Air flow	m ³ /min	P-Hi:13 Hi:10 Me:9 Lo:8		P-Hi:24 Hi:19 Me:15 Lo:10		P-Hi:36 Hi:28 Me:25 Lo:19		P-Hi:39 Hi:32 Me:26 Lo:20
Maximum external static pressure	Pa	200						
Outside air intake		Possible						
Air filter		Procure locally						
Remote control(option)		wired:RC-EX3A, RC-E5, RCH-E3 wireless:RCN-KIT4-E2						
Installation data Refrigerant piping size	mm(in)	Liquid line:ø6.35(1/4") Gas line:ø12.7(1/2")		Liquid line:ø9.52(3/8") Gas line:ø15.88(5/8")				

1. The data are measured under the following conditions(ISO-T1). Cooling: Indoor temp. of 27°CDB, 19°CWB, and outdoor temp. of 35°CDB. Heating: Indoor temp. of 20°CDB, and outdoor temp. of 7°CDB, 6°CWB. External static pressure of indoor unit is 60Pa.
 2. Sound pressure level indicates the value in an anechoic chamber. During operation these values are somewhat higher due to ambient conditions.

Item	Model	FDU224KXZE1	FDU280KXZE1
Nominal cooling capacity	kW	22.4	28.0
Nominal heating capacity	kW	25.0	31.5
Power source		1 Phase 220-240V, 50Hz	
Power consumption	Cooling	1.16-1.20	
	Heating	1.16-1.20	
Sound pressure level	dB(A)	P-Hi:52 Hi:50 Me:47 Lo:45	
Exterior dimensions H x W x D	mm	379x1600x893	
Net weight	kg	89	
Air flow	m ³ /min	P-Hi:80 Hi:72 Me:64 Lo:56	
Maximum external static pressure	Pa	200	
Outside air intake		Possible(on return duct)	
Air filter		Procure locally	
Remote control(option)		wired:RC-EX3A, RC-E5, RCH-E3 wireless:RCN-KIT4-E2	
Installation data Refrigerant piping size	mm(in)	Liquid line:ø9.52(3/8") Gas line:ø19.05(3/4")	Liquid line:ø9.52(3/8") Gas line:ø22.22(7/8")

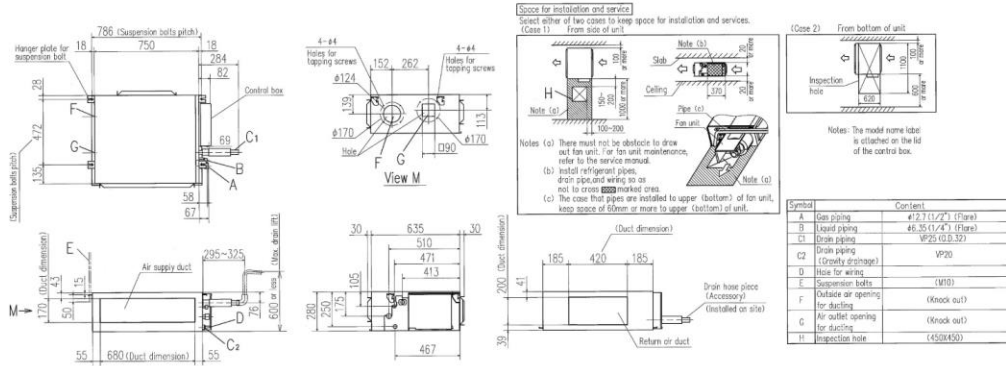
1. The data are measured under the following conditions(ISO-T1). Cooling: Indoor temp. of 27°CDB, 19°CWB, and outdoor temp. of 35°CDB. Heating: Indoor temp. of 20°CDB, and outdoor temp. of 7°CDB, 6°CWB. External static pressure of indoor unit is 72Pa.
 2. Sound pressure level indicates the value in an anechoic chamber. During operation these values are somewhat higher due to ambient conditions.



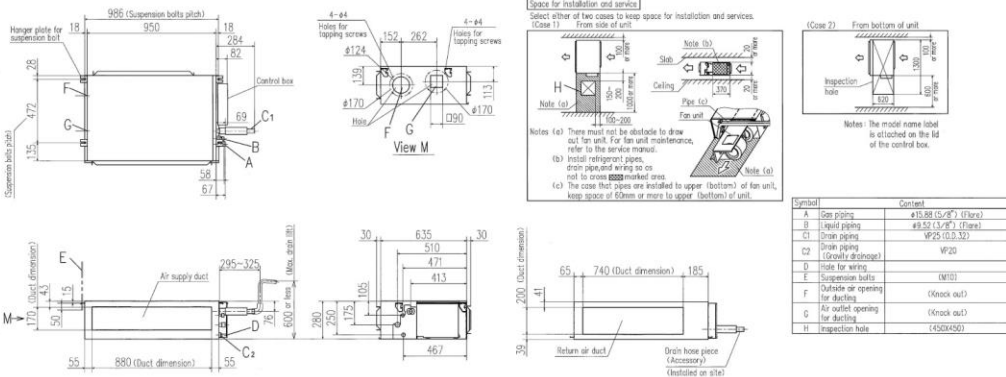
Dimensions

All measurements in mm.

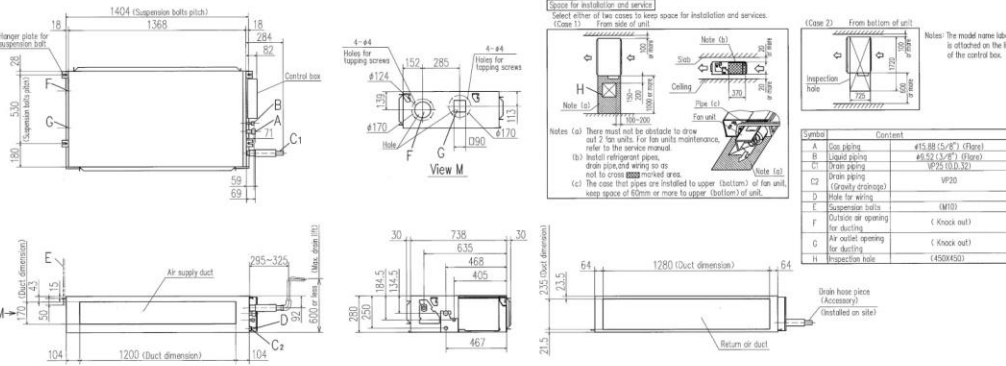
FDU45XE6F, 56KXE6F



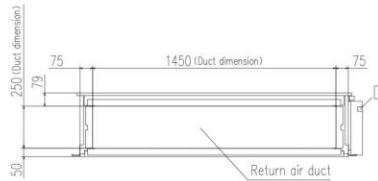
FDU71KXE6F, 90KXE6F



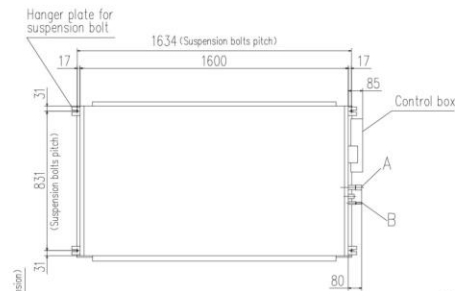
FDU112KXE6F, 140KXE6F, 160KXE6F



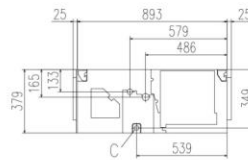
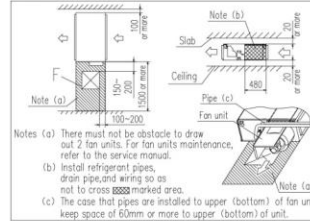
FDU224KXZE1, 280KXZE1



Symbol	MODEL	Content
	224	280
A	Gas piping	φ18.8 (3/4") (Brazing) φ22.2 (7/8") (Brazing)
B	Liquid piping	φ9.52 (3/8") (Brazing)
C	Drain piping (Gravity drainage)	VP25 (O.D.32)
D	Hole for wiring	
E	Suspension bolts	M10
F	Inspection hole	(450X450)



Space for installation and service
Select either of two cases to keep space for installation and services.



Round duct adapter (Available for FDU 45~160KXE6F, FDUM 22~160KXE6F)

Company : AIRZONE
URL : <http://www.airzone.es>

All-in-one solution: the whole zoning system in a plug&play device perfectly adapted to the indoor DX unit



Main components

