



Wall Mounted FDK

- Model No.**
 FDK15KXZE1
 FDK22KXZE1
 FDK28KXZE1
 FDK36KXZE1
 FDK45KXZE1
 FDK56KXZE1
 FDK71KXZE1
 FDK90KXZE1



Remote control (option)

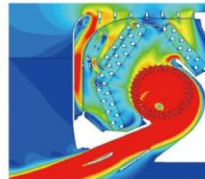


Elegant Timeless Design

The new FDK series air-conditioners have been stylishly designed with rounded contours that fit beautifully into any of Europe's diverse interior settings. The design was created by the Italian industrial design studio Tensa srl, based in Milan, to respond to a broad spectrum of local user needs. (15-56KXZE1)



Jet Technology



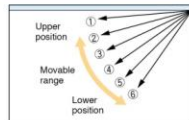
Fast ← → Slow
 Colors in the figure show the air speed.

FDK models adopt the air flow design that's proven to minimise resistance in a CFD analysis to achieve uniform air conditioning to the furthest corners of the room.

Flap control system

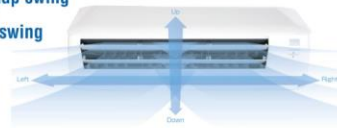
Selection of flap position is possible. A flap can be set at different angles.

*The wireless remote control is not applicable to the flap control system.



Lateral Swing ▶ flap swings from right to left automatically

Up/Down Flap swing + Lateral swing



Specifications

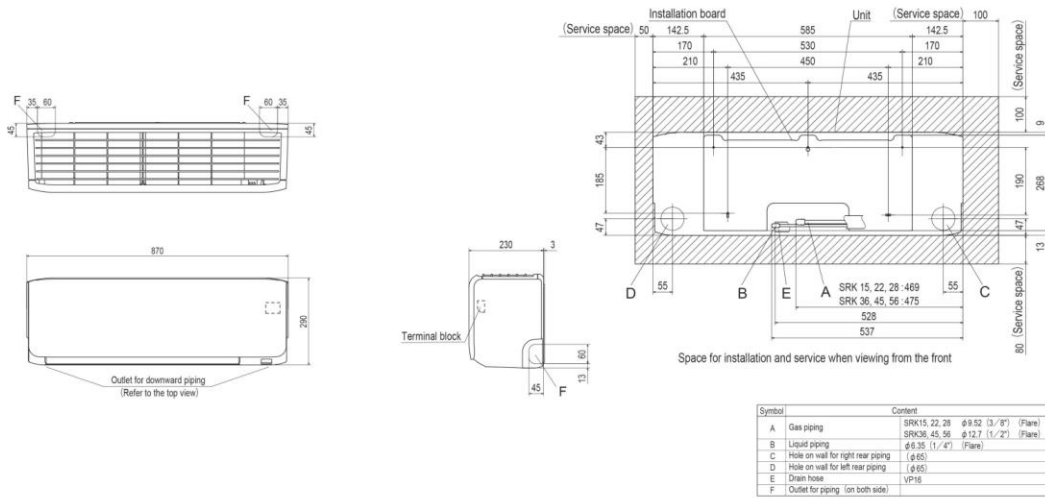
Item	Model	FDK15KXZE1	FDK22KXZE1	FDK28KXZE1	FDK36KXZE1	FDK45KXZE1	FDK56KXZE1	FDK71KXZE1	FDK90KXZE1		
Nominal cooling capacity	kW	1.5	2.2	2.8	3.6	4.5	5.6	7.1	9.0		
Nominal heating capacity	kW	1.7	2.5	3.2	4.0	5.0	6.3	8.0	10.0		
Power source		1 Phase 220-240V, 50Hz									
Power consumption	Cooling	0.02-0.02			0.03-0.03			0.04-0.04	0.05-0.05		
	Heating	0.02-0.02			0.03-0.03			0.04-0.04	0.05-0.05		
Sound power level	dB(A)	54	55		58		Cooling:58 Heating:61	59	61		
Sound pressure level	Cooling	P-Hi:38 Hi:34 Me:31 Lo:28	P-Hi:38 Hi:36 Me:32 Lo:28		P-Hi:40 Hi:38 Me:33 Lo:28		P-Hi:43 Hi:41 Me:36 Lo:33	P-Hi:43 Hi:41 Me:36 Lo:33	P-Hi:42 Hi:40 Me:37 Lo:35	P-Hi:44 Hi:42 Me:39 Lo:35	
	Heating	P-Hi:38 Hi:34 Me:31 Lo:28	P-Hi:38 Hi:36 Me:32 Lo:28		P-Hi:40 Hi:38 Me:33 Lo:28		P-Hi:43 Hi:41 Me:36 Lo:33	P-Hi:44 Hi:42 Me:37 Lo:33	P-Hi:42 Hi:40 Me:37 Lo:35	P-Hi:44 Hi:42 Me:39 Lo:35	
Exterior dimensions H x W x D	mm	290 x 870 x 230						339 x 1197 x 262			
Net weight	kg	11.5	11		11.5		17				
Air flow	Cooling	P-Hi:5.7 Hi:5 Me:4.5 Lo:3.6	P-Hi:8.5 Hi:8 Me:6 Lo:5		P-Hi:11 Hi:10 Me:8 Lo:7		P-Hi:12 Hi:11 Me:9 Lo:8	P-Hi:12 Hi:11 Me:9 Lo:8	P-Hi:13 Hi:12 Me:10 Lo:8	P-Hi:22 Hi:19 Me:16 Lo:14	P-Hi:23 Hi:21 Me:19 Lo:16
	Heating										
Outside air intake		Not possible									
Air filter, Q'ty		Polypropylene net x2 (Washable)									
Remote control(option)		wired:RC-EX3A, RC-E5, RCH-E3 wireless:RCN-K-E2, RCN-K71-E2									
Installation data Refrigerant piping size	mm(in)	Liquid line:ø6.35(1/4") Gas line:ø9.52(3/8")			Liquid line:ø6.35(1/4") Gas line:ø12.7(1/2")			Liquid line:ø9.52(3/8") Gas line:ø15.88(5/8")			

1. The data are measured under the following conditions(ISO-T1). Cooling: Indoor temp. of 27°CDB, 19°CWB, and outdoor temp. of 35°CDB. Heating: Indoor temp. of 20°CDB, and outdoor temp. of 7°CDB, 6°CWB.
 2. Sound pressure level indicates the value in an anechoic chamber. During operation these values are somewhat higher due to ambient conditions.

Dimensions

All measurements in mm.

FDK15KXZE1, 22KXZE1, 28KXZE1, 36KXZE1, 45KXZE1, 56KXZE1



FDK71KXZE1, 90KXZE1

