



Floor Standing (with casing)
FDFL
Floor Standing (without casing)
FDFU

Remote control (option)



Model No.
 FDFL71KXE6F
 FDFU28KXE6F
 FDFU45KXE6F
 FDFU56KXE6F
 FDFU71KXE6F



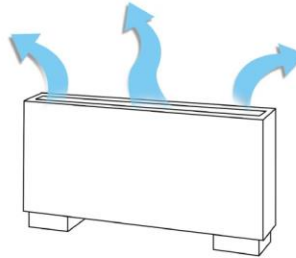
FDFL



FDFU (concealed type)



Compact design at 630mm height



Wider airflow for optimum comfort

Specifications

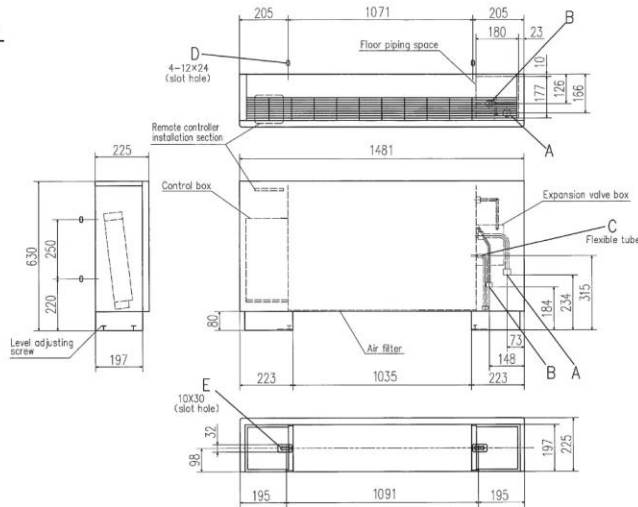
| Item | Model | FDFL71KXE6F | FDFU28KXE6F | FDFU45KXE6F | FDFU56KXE6F | FDFU71KXE6F |
|--|---------------------|---|---|--------------|---|--|
| Nominal cooling capacity | kW | 7.1 | 2.8 | 4.5 | 5.6 | 7.1 |
| Nominal heating capacity | kW | 8.0 | 3.2 | 5.0 | 6.3 | 8.0 |
| Power source | | 1 Phase 220-240V, 50Hz | | | | |
| Power consumption | Cooling | 0.09-0.10 | | | 0.09-0.10 | |
| | Heating | 0.09-0.10 | | | 0.09-0.10 | |
| Sound power level | dB(A) | 62 | 58 | | 60 | |
| Sound pressure level | dB(A) | Hi:43 Me:41 Lo:40 | Hi:41 Me:38 Lo:36 | | Hi:43 Me:41 Lo:40 | |
| Exterior dimensions H x W x D | mm | 630x1481x225 | | 630x1077x225 | | 630x1362x225 |
| | kg | 40 | | 25 | | 32 |
| Net weight | kg | 40 | | 25 | | 32 |
| Air flow (Standard) | m ³ /min | Hi:18 Me:15 Lo:12 | Hi:12 Me:11 Lo:10 | | Hi:14 Me:12 Lo:10 | Hi:18 Me:15 Lo:12 |
| Air filter, Q'ty | | Polypropylene net x1 (Washable) | | | | |
| Remote control(option) | | wired:RC-EX3A, RC-E5, RCH-E3 wireless:RCN-KIT4-E2 | | | | |
| Installation data Refrigerant piping size | mm(in) | Liquid line:ø9.52(3/8") Gas line:ø15.88(5/8") | Liquid line:ø6.35(1/4") Gas line:ø9.52(3/8") | | Liquid line:ø6.35(1/4") Gas line:ø12.7(1/2") | Liquid line:ø9.52(3/8") Gas line:ø15.88(5/8") |

1. The data are measured under the following conditions(ISO-T1). Cooling: Indoor temp. of 27°CDB, 19°CWB, and outdoor temp. of 35°CDB. Heating: Indoor temp. of 20°CDB, and outdoor temp. of 7°CDB, 6°CWB.
 2. Sound pressure level indicates the value in an anechoic chamber. During operation these values are somewhat higher due to ambient conditions.

Dimensions

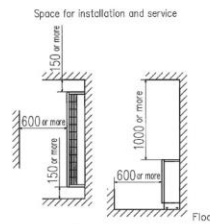
All measurements in mm.

FDFL

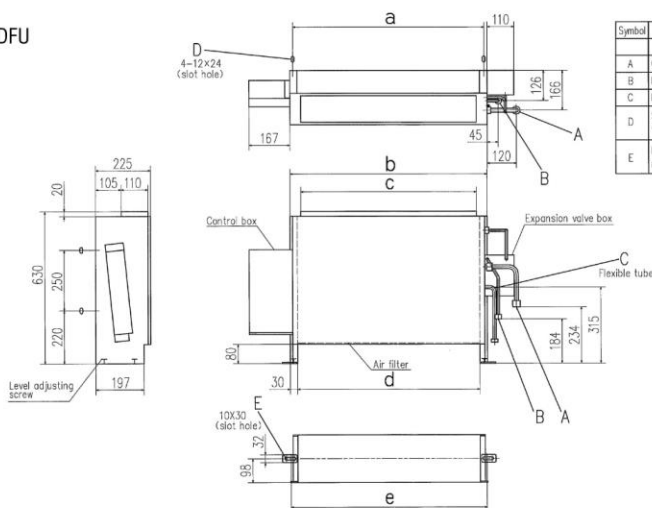


| Symbol | Content | |
|--------|--|---------------------------|
| | Model | FDFL71KXE6F |
| A | Gas piping (Accessory) | φ15.88 (5/8") (Flare) |
| B | Liquid piping | φ9.52 (3/8") (Flare) |
| C | Drain piping (Accessory) | PT20A female screw, 360mm |
| D | Slot hole for wall mounting | (M10) |
| E | Metal plate for floor mounting (Accessory) | (MB) |

Note (1) The model name label is attached on the lid of the control box.

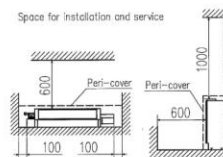


FDFU



| Symbol | Content | | |
|--------|--|-------------------------------|---------------------------|
| | Model | FDFU28KXE6F, 45KXE6F, 56KXE6F | FDFU71KXE6F |
| A | Gas piping (Accessory) | φ9.52 (3/8") (Flare) | φ15.88 (5/8") (Flare) |
| B | Liquid piping | φ6.35 (1/4") (Flare) | φ9.52 (3/8") (Flare) |
| C | Drain piping (Accessory) | PT20A female screw, 360mm | PT20A female screw, 360mm |
| D | Slot hole for wall mounting | (M10) | (M10) |
| E | Metal plate for floor mounting (Accessory) | (MB) | (MB) |

Note (1) The model name label is attached on the lid of the control box.



Dimension Table

| model | Unit:mm | | | | |
|-------------------------------|---------|------|------|------|------|
| | a | b | c | d | e |
| FDFU28KXE6F, 45KXE6F, 56KXE6F | 786 | 810 | 722 | 750 | 806 |
| FDFU71KXE6F | 1071 | 1095 | 1007 | 1035 | 1091 |